



WATER MASTER® VACUUM TANKER

UP TO 4000
GALLON TANK

UP TO 430
HP ENGINE

SELF-FILLING
VACUUM SYSTEM

UP TO 1250
GPM PUMP

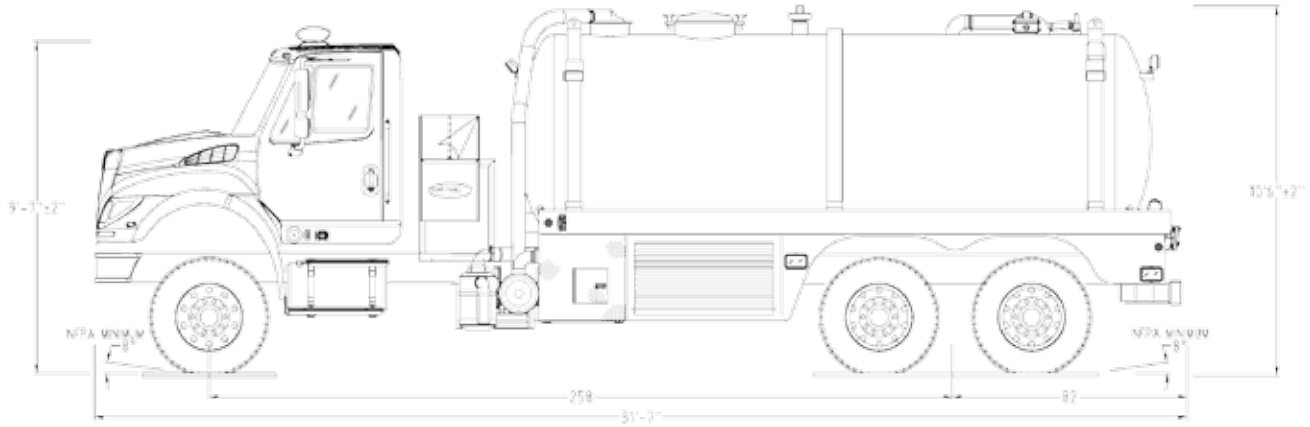
Water Master vacuum tankers were designed from the ground up to deliver the maximum amount of water to the scene with the minimum amount of personnel.



THE ULTIMATE WATER DELIVERY MACHINE

Featuring a unique self-filling vacuum system, Water Master vacuum tankers can be filled at up to 2000 gallons per minute without a Class A pumper. The tankers can self-fill from up to three suction inlets using almost any alternative water source including ponds, rivers, lakes, ditches and swimming pools. The units feature baffled aluminum tanks holding up to 4000 gallons of water and come standard with a vacuum pump allowing one operator to maintain a flow rate of 250 gallons per minute or more at the fire scene while traveling over a three mile shuttle route from a water source.

WATER MASTER VACUUM TANKER



CHASSIS

- Freightliner®, International® or Kenworth® chassis
- Up to 430 HP Engine
- Two-door or four-door cabs
- Two-tone cab paint
- Air conditioning
- 50-gallon aluminum fuel tank
- Allison® transmission with touch-button shifter

BODY CONSTRUCTION

- Corrosion-resistant polished aluminum water tank with vacuum pump system
- 2000 to 4000 gallon tank capacity
- In-cab pump and valve control console
- Closed circuit monitor with two cameras
- Two spacious storage compartments with roll-up doors
- Hard suction hose trays, length of unit on both sides
- Manual or electric portable tank racks
- Crossway hose trays

FIRE PACKAGE

- Up to 1250 GPM with NFPA rated discharges
- Water tank level gauges on front sides, rear, and inside cab
- Pre-connect cross lays
- 2.5" side discharge outlets
- Booster hose reel
- Floating strainer
- Remote controlled monitor

ELECTRICAL

- Center console with switches and indicators for electrical system, air flow and water flow
- Whelen® optical and audible warning packages standard, others optional
- 12-V scene lighting and back-up camera available



CONTACT US AT **E-ONE.COM**
OR CALL **352-237-1122** FOR A DEALER NEAR YOU.