



# LIGHT RESCUE

**ALL-WELDED  
CONSTRUCTION**

**550  
HP ENGINE**

**3/16"  
EXTRUDED ALUMINUM BODY**

E-ONE Light Rescues are small in size but big on strength due to our proven 3/16" extruded aluminum body design.

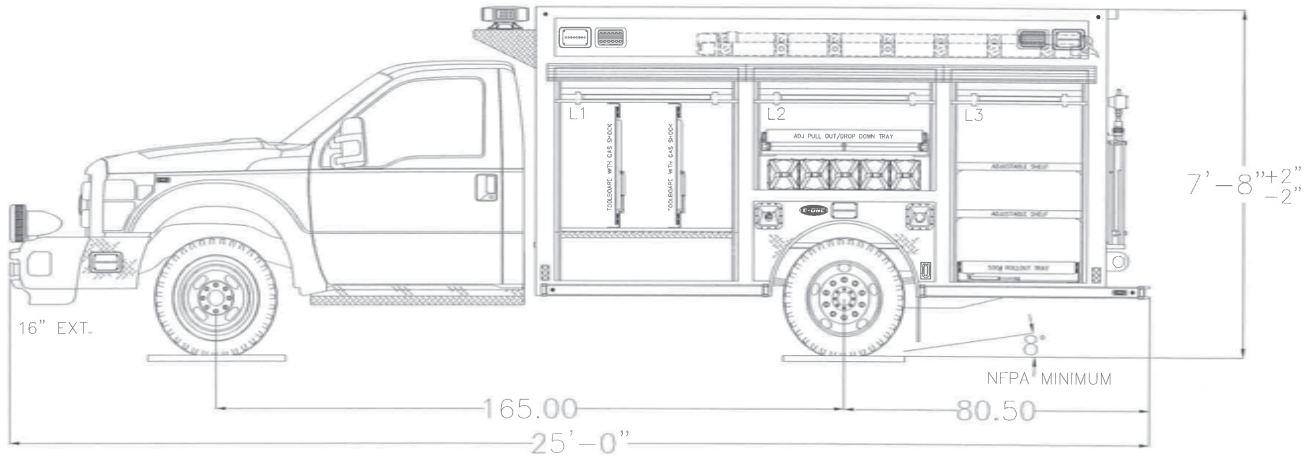


Don't let the E-ONE light rescue fool you - it's small in size but big on strength. Like all E-ONE apparatus, our Light Rescue is designed with 3/16" extruded aluminum body and frame to offer one of the industry's strongest rescue bodies.

The 7-door layout and the 9-door configuration are available with roll up or hinged doors and multiple compartment storage and organization options. Pull-out tool boards and roll-out trays maintain organization while storing all the necessary first response and advanced life-saving equipment.

Arrive prepared with the E-ONE Light Rescue.

# LIGHT RESCUE



## CHASSIS

- Ford® F-550 2-door, 2-door extended, or 4-door cab
- GMC® 5500
- 175,000 lb GVWR
- 4x2 6.0L diesel engine
- 5-speed automatic transmission
- Bumper extensions
- CrewGuard as standard

## BODY CONSTRUCTION

- Corrosion-resistant extruded aluminum
- Spacious compartments
- Adjustable or fixed shelves and roll-out trays
- Large open rear compartment
- Roll up or hinged doors
- Body uses 4-sided seamless extrusions interlocked and welded to 3/16" aluminum plating for a strong, yet lightweight vehicle
- Drip rails are bonded to the body to reduce corrosion and direct water run-off away from the compartment
- Compartment interiors are finished in natural, swirled or Zolatone® with vented louvers. Wiring harnesses installed along extrusions provide easy access and protection from the elements
- Structural roll-cage body design assists with protecting the chassis in the event of a roll-over

## RESCUE PACKAGE

- Breathing air system with fill station
- Light tower on top of body
- Stokes basket and backboard storage options
- Hydraulic rescue tool power unit with reels
- Ladder storage options
- Transverse compartment(s)
- Scene lighting
- Generators: 5kW to 10kW, direct drive, hydraulic, diesel
- Whelen® optical and audible warning packages standard, others optional



CONTACT US AT **E-ONE.COM**  
OR CALL **352-237-1122** FOR A DEALER NEAR YOU.