



WE INNOVATE EVERY DAY.
e-one.com

WATER MASTER™ VACUUM TANKER



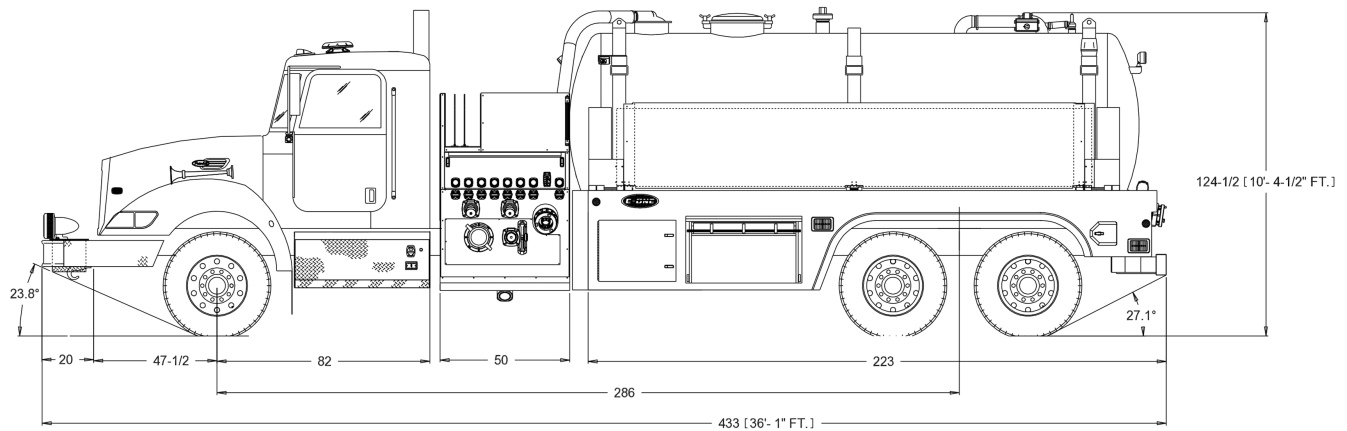
SPECIFICATIONS

THE ULTIMATE WATER DELIVERY MACHINE.

Featuring a unique self-filling vacuum system, Water Master™ vacuum tankers can be filled at up to 2000 gallons per minute without a Class A pumper. The tankers can self-fill from up to three suction inlets using almost any alternative water source including ponds, rivers, lakes, ditches and swimming pools. The units feature baffled aluminum tanks holding up to 4000 gallons of water and come standard with a vacuum pump allowing one operator to maintain a flow rate of 250 gallons per minute or more at the fire scene while traveling over a three mile shuttle route from a water source.

OUR VEHICLES CONNECT AND PROTECT
PEOPLE AROUND THE WORLD EVERY DAY.
www.revgroup.com





CHASSIS

- Freightliner®, International® or Kenworth® chassis
- Up to 430 HP Engine
- Two-door or four-door cabs
- Two-tone cab paint
- Air conditioning
- 50-gallon aluminum fuel tank
- Allison® transmission with touch-button shifter

BODY

- Corrosion-resistant polished aluminum water tank with vacuum pump system
- 2000 to 4000 gallon tank capacity
- In-cab pump and valve control console
- Closed circuit monitor with two cameras
- Two spacious storage compartments with roll-up doors
- Hard suction hose trays, length of unit on both sides
- Manual or electric portable tank racks
- FRP body panels with 12-year paint warranty

FIRE PACKAGE

- Up to 1250 GPM with NFPA rated discharges
- Water tank level gauges on front sides, rear, and inside cab
- Pre-connect cross lays
- 2.5" side discharge outlets
- Booster hose reel
- Floating strainer
- Remote controlled monitor

OPTIONS

- Booster hose reel
- Floating strainer
- Remote controlled monitor

PUMP MODULE

- Constructed of type 304L stainless steel
- Independent of the apparatus body
- Fully enclosed discharge and vacuum plumbing
- Accomodates preconnects and dry hose storage

ELECTRICAL

- Center console with vista display for fully automated tanker operations
- V-Max multiplex electrical system
- Whelen® of Federal® optical and audible warning packages
- 12-V scene lighting and back-up camera standard